

TRANSFER RODS

CTLT & CTMG SERIES

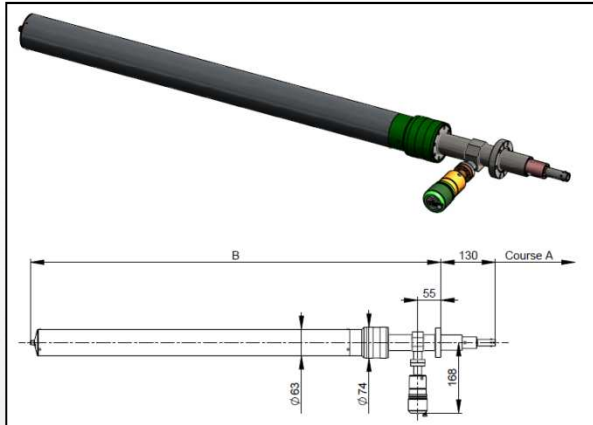
Primary Features :

- ◆ Translation and rotation
- ◆ Mechanical or magnetic actuation
- ◆ High couple for mechanical transfer rods
- ◆ Strokes up to 1000 mm
- ◆ Mounting flange :
DN40CF or DN63CF
- ◆ Reliable, accurate & economic
- ◆ Options :
 - Motorization for mechanical transfer rods
 - Higher stroke on request



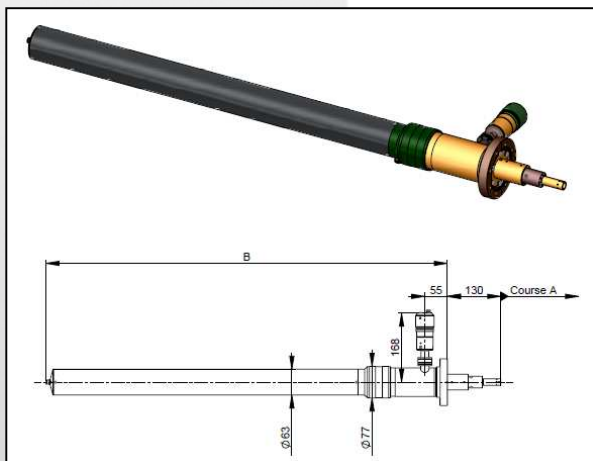
All mechanical transfer rods in the CTLT series are reliable and very precise products, allowing users to work in UHV technology at pressures down to 10^{-12} mbar. These transfer rods provide a combined movement of rotation and translation around and along their axis, with the advantage of installation in all positions. These movements may be motorized and controlled by a joystick upon request. The CTLT series rods are available on CF40 or CF63 flange.

Vinci Technologies - Meca 2000 also offers a range of magnetic transfer rods (series CTMG on flange CF40) for applications where high torque is not imperative.



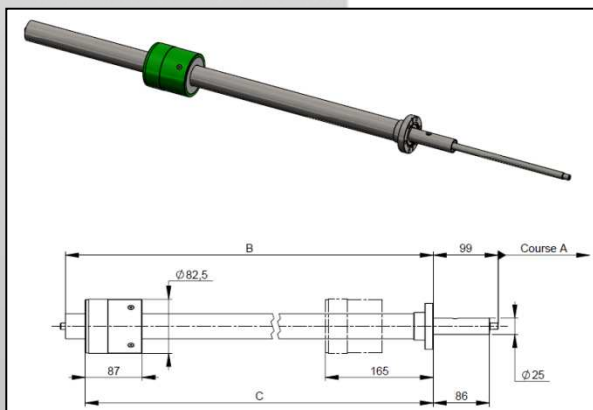
DN40CF MECHANICAL TRANSFER RODS

Models	Stroke	References
CTLT 40/600 II	600	492 001
CTLT 40/800 II	800	492 002
CTLT 40/1000 II	1000	492 003



DN63CF MECHANICAL TRANSFER RODS

Models	Stroke	References
CTLT 63/600 II	600	302 791
CTLT 63/800 II	800	302 790
CTLT 63/1000 II	1000	302 789



DN40CF MAGNETIC TRANSFER RODS

Models	Stroke	References
CTMG 40/600	600	491 001
CTMG 40/800	800	491 002
CTMG 40/1000	1000	491 003

Maximum torque 2 N.m
Maximum axial force 70 N